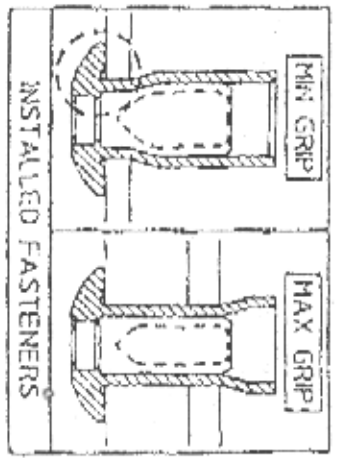
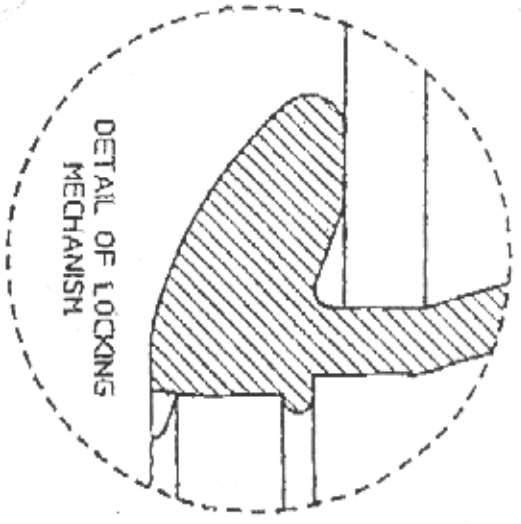
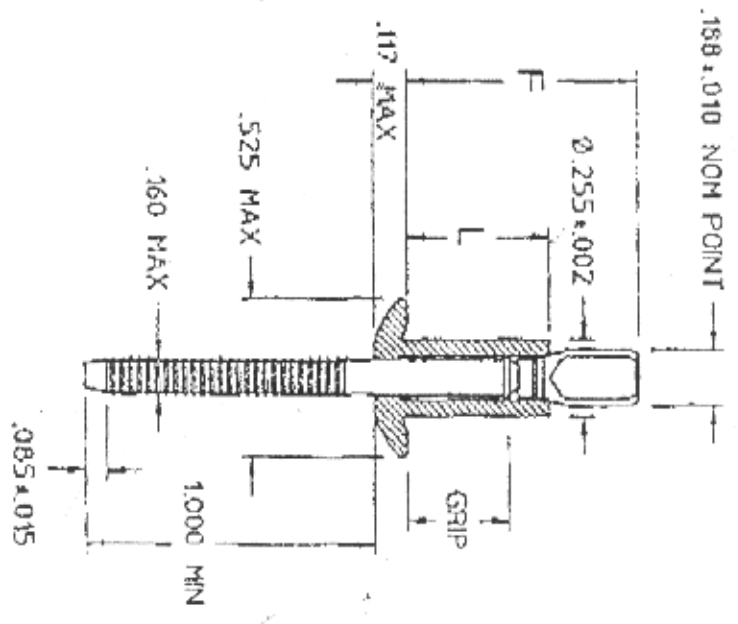
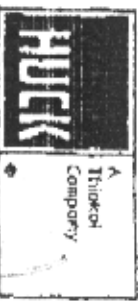


PART NUMBER	GRIP		L*		F*		WEIGHT PER 1000 PCS.	
	MIN	MAX	MAX	MAX	MAX	SHIPPING	INSTALLED	
MGLP-R8-E11	.142	.637	.872	1.467	24.83 LBS	14.04 LBS		
-E12	.205	.750	.935	1.530	25.70 LBS	14.92 LBS		
-E12.6	.245	.790	.975	1.570	26.24 LBS	15.46 LBS		
-E13	.267	.812	.997	1.592	26.59 LBS	15.82 LBS		



HUCK INSTALLATION TOOL:
 MODEL 229 WITH 99-1453 NOSE ASSEMBLY
 OR MODEL 210 WITH 99-1451
 MECHANICAL PROPERTIES (LBS) TYPICAL:
 TENSILE: 2200
 SHEAR: 2750
 PIN RETENTION: 500
 HOLE SIZE: .261/.272
 FINISH:
 SLEEVE: ZINC PLATE WITH CLEAR CHROMATE
 PIN: ZINC PLATE GOLD DICHROMATE
 LUBRICATION: SYNTHETIC OIL
 REFERENCE INSTALLED PIN POSITION:
 FLUSH ±0.020

REV	DESCRIPTION	DRAWN	CHECKED	APPROVED	DATE	MATERIAL
01	RELEASED PER PCN M1495.	ROB L	BM	TDP	5/11/94	COORDINATION DRAWING FOR EXTENDED GRIP
--	PRELIMINARY PER SPR 161B.	ROB L	BM	TDP	03-18-94	1/4" MAGNA-LOK STEEL
UNLESS OTHERWISE SPECIFIED, TOLERANCES ARE ANGLES 45°						MATERIAL PIN STEEL, SLEEVE: ALUMINUM 15 X SCALE
THIS DRAWING, THE STRUCTURAL DESIGN DISCUSSED THEREIN, AND THE TECHNICAL DATA AND ENGINEERING SERVICE REPRESENTED HEREBY ARE THE EXCLUSIVE PROPERTY OF HUCK BROTHERS INC. IT IS TO BE RETURNED TO HUCK UPON WRITING REQUEST AND IS NOT TO BE REPRODUCED IN WHOLE OR IN PART OR DELETED IN ANY MANNER WITHOUT THE EXPRESS WRITTEN CONSENT OF HUCK.						INDOEX 9129-CE



Huck Brothers Division
 3201 Imperial Drive
 P.O. BOX 417
 HICKORY, TX 76794-8117